



Omni™ XT15

EMC Configuration and Accessories Guide

Designed to assist customers and partners with model and configuration guidance



Contents

- I. XT15 Series Configuration Guide**
- II. XT15 Series Accessories**





XT15 Configuration Guide



XT15 Series

CONFIGURATION AND ACCESSORY GUIDES are available on [The Source](#) and [PartnerCentral](#)

- Also see www.zebra.com/xt15 and the XT15 Configuration and Accessories Guide

Find Product Information in the **EMC Product Portfolio** on [The Source](#) and [PartnerCentral](#)



Partner Central

ENTERPRISE MOBILE COMPUTING

2014 EMC PRODUCT PORTFOLIO

- EMC Resources
- Zebra Solutions At A Glance
- Enterprise Mobile Computing
 - Knowledge Worker Portfolio
 - Line Worker Portfolio
 - EMC Software & Solutions
- Topical Content
 - MSI OS Strategy
 - The Value of Enterprise Class Products

CUSTOMER FACING

FIELD MOBILITY

TASK SPECIFIC

INDUSTRIAL MOBILITY

The graphic features four small images on the right side: a woman at a service counter, a person in a warehouse using a handheld device, a woman in a retail setting, and a worker in an industrial setting using a handheld device.



XT15 Configuration Matrix

CONFIGURATION OPTIONS:	WA4xx	OPTION	DESCRIPTION
Product Type	OBxxxxxxxxxxxx	B	XT15
	ODxxxxxxxxxxxx	D	XT15 Non Incendive Class I Div 2
	OExxxxxxxxxxxx	E	XT15 Freezer
Display and Op. Temp. Range	Ox0xxxxxxxxxxx	0	Standard with High Visibility display
	Ox1xxxxxxxxxxx	1	Standard with Extreme Duty (Higher Impact Resistance) display
	OE3xxxxxxxxxxx	3	Chiller (Condensation Resistant) with Extreme Duty display
	OE4xxxxxxxxxxx	4	Arctic (-30C) with Extreme Duty Heated Display
Memory	Oxx3xxxxxxxxxxx	3	512MB SDRAM/1GB Flash ROM
Operating System Options	Oxxx1xxxxxxxxxxx	1	Microsoft CE 6.0
	OxxxAXxxxxxxxxxxx	A	Microsoft Windows Embedded Hand Held 6.5
Local Languages	Oxxx1xxxxxxxxxxx	1	English
	Oxxx2xxxxxxxxxxx	2	French
	Oxxx3xxxxxxxxxxx	3	German
	Oxxx5xxxxxxxxxxx	5	Italian
Emulation, Mobile Device Management, Browser Software	Oxxxx0xxxxxxxxxxx	0	No Terminal Emulation, No MDM
	OxxxxXxxxxxxxxxxx	2,3,4,5,6,E,F,G,H	Tek Term TE, Stay Linked TE, Naurtech Industrial Browser, Wavelink TE, MobiControl, Mobi Control and TekTerm, MobiControl and StayLinked TE, MobiControl and Naurtech Browser, MobiControl and Wavelink TE (Load only – License to be purchased separately)
Keypad Options	Oxxxxxx0xxxxxxx	0	No Keyboard Installed - Order keyboard separately
	Oxxxxxx1xxxxxxx	1	59 Key, Alpha ABC, Numeric Telephony, 6 Function single push
	Oxxxxxx1xxxxxxx	2	36 Key, Numeric Telephony, 12 Function single push
	Oxxxxxx3xxxxxxx	3	36 Key, Alpha Modified, Numeric Calculator, 12 Function single push
	Oxxxxxx4xxxxxxx	4	55 Key, Phone Keys, Alpha ABC, Numeric Telephony
	Oxxxxxx5xxxxxxx	5	66 Key, Phone Keys, Alpha QWERTY, Numeric Telephony, 6 Function
	Oxxxxxx8xxxxxxx	8	34 Key, Numeric Telephony, 12 Function Single Push
	OxxxxxxAxxxxxxx	A	Oracle, 59 Key, Alpha ABC, Numeric Telephony, 6 Function Single Push
	OxxxxxxBxxxxxxx	B	Oracle, 66 Key, Phone Keys, Alpha QWERTY, 6 Function Keys
	OExxxxxxCxxxxxxx	C	58 Key, Freezer Legacy Colors, Alpha ABC, Numeric Telephony
OExxxxxxDxxxxxxx	D	34 Key, Freezer Legacy Colors, Numeric Telephony, 12 Function	



XT15 Configuration Matrix (XT15,F,NI) *Unique Configurator for XT15NB

CONFIGURATION OPTIONS:	WA4xx	OPTION	DESCRIPTION
Future	Oxxxxxxxx0xxxxxx	0	None
Radio Options	Oxxxxxxxx0xxxxxx	0	802.11 A/B/G/N, BT 2.0+ EDR, No WAN
	Oxxxxxxxx1xxxxxx	1	802.11 A/B/G/N, BT 2.0+ EDR, GPS – End of Life
	Oxxxxxxxx2xxxxxx	2	802.11 A/B/G/N, BT 2.0+ EDR, HSPA +, GPS
	Oxxxxxxxx1xxxxxx	1	None
Standard Expansion Back Cover (No Pod or End Cap Capability)	Oxxxxxxxx2xxxxxx	2	Push-to-Talk Speaker
	Oxxxxxxxx3xxxxxx	3	Push-to-Talk Speaker, Camera
	Oxxxxxxxx8xxxxxx	8	Imager 2D – SE4500
	Oxxxxxxxx9xxxxxx	9	Imager 2D – SE4600LR
	OxxxxxxxxAxxxxxx	A	Scanner 1D – Auto Range SE1524ER
	OxxxxxxxxBxxxxxx	B	Scanner 1D - Standard Range SE1224HP
	OxxxxxxxxExxxxxx	E	Scanner 1D – Standard Range SE965HP
Secondary Expansion POD	Oxxxxxxxx1xxxxxx	1	None
	Oxxxxxxxx8xxxxxx	8	Imager 2D – SE4500
	OxxxxxxxxBxxxxxx	B	Scanner 1D – Standard Range SE 1224HP
	OxxxxxxxxDxxxxxx	D	Scanner 1D – Standard Range SE955
	OxxxxxxxxTxxxxxx	T	HF RFID Note: Incompatible with WAN
Secondary Expansion ENDCAP	Oxxxxxxxx1xxxxxx	1	None
	Oxxxxxxxx8xxxxxx	8	Imager 2D – SE4500
	OxxxxxxxxDxxxxxx	D	Scanner 1D – SE955
Battery Options	Oxxxxxxxx0xxxxxx	0	Standard 5000 mAh Lithium Ion Battery
	ODxxxxxxxx1xxxxxx	1	Non-Incendive 5000 mAh Lithium Ion Battery
	OExxxxxxxx2xxxxxx	2	5300 mAh Freezer Battery (required on Arctic)
Input Accessories	Oxxxxxxxx1xxxxxx	1	No input accessories
	Oxxxxxxxx2xxxxxx	2	Pistol Grip, Tethered Stylus
	Oxxxxxxxx4xxxxxx	4	Hand strap, Tethered Stylus

Configuration Exceptions List

Terminal	OS	Standard Expansion (Back cover)	Secondary Expansion (Pod)	Secondary Expansion (End cap)	Radio	Input Accessories	Compatible	Explanation
All		Lorax			WWAN		No	WWAN requires expansion back cover so only end cap and pod scanners can work - which are SE4500, SE955, SE1224HP
All			HF RFID Reader		WWAN		Yes	
All			HF RFID Reader			Pistol Grip	No	RFID unit fits in the same location as pistol grip
All		SE4600, SE1524	HF RFID Reader				No	The only scanners that can be used with RFID are end cap scanners. Only SE4500 is currently available with a HF RFID.
NI, Freezer			HF RFID Reader				No	No Pod options are available for Freezer (and HF RFID requirement). HF RFID has not been qualified for NI.
All		Camera PTT speaker	HF RFID Reader				Yes	
Freezer with Narrowband							No	XT15 can be either Narrowband or Freezer, not technically feasible to support both on the product
Narrowband		SE1524 (Lorax) or SE4600					No	XT15NB supports scan engines in the large and small pods only: SE1224, SE955 and SE4500. SE4600 is too high of a power consumer to integrate with NB and SE1524 (Lorax) is technically feasible to integrate as a future option – request via CPR process.

Main XT15 Variants



XT15 Variants

XT15 Standard

Operating System

- Windows CE 6.0
- Windows Embedded Handheld 6.5

Memory

- 512MB SDRAM/1GB Flash ROM

XT15ni Non- Incendive

UL Class 1, Div 2,
Groups A,B,C,D; T6

Operating System

- Windows CE 6.0
- Windows Embedded Handheld 6.5

Memory

- 512MB SDRAM/1GB Flash ROM

XT15f Freezer

Condensation-Resistant Chiller model

- - 4° F / - 20° C environments

Condensation-free Arctic Model

- - 22° F / -30° C freezers

Operating System

- Windows CE 6.0
- Windows Embedded Handheld 6.5

Memory

- 512MB SDRAM/1GB Flash ROM

XT15nb Narrowband

Operating System

- Windows CE 6.0

Region & Memory

- 512MB SDRAM/1GB Flash ROM
- UK countries (512 MB RAM/1 GB Flash)
- Non-UK (512 MB RAM/1 GB Flash)

XT15 Radio Options



Built-in Radios

802.11 A/B/G/N, Antenna with Bluetooth 2.0 + EDR, No WAN

802.11 A/B/G/N, Antenna with Bluetooth 2.0 + EDR, **UMTS / HSPA+, GPS**

Applicable only for Upgrades / Reconfiguration



Expansion Radio Module

RA3050-GPS HSPA+ and GPS WAN expansion module

RA3050 - GPS
HSPA+ and GPS WAN
expansion module



RA3050-GPS requires End-cap with HSPA+ Antenna (ST96xx)

Installation instructions for Radio Modules:

<http://www.ingenuityworking.com/knowledge/w/knowledgebases/1525.workabout-pro4-product-manuals.aspx>

XT15 Display Options



ST2003

XT15 High Visibility display module

Offers superior overall visibility with 165 cd/m² brightness



ST2004

XT15 Extreme Duty display module

Extreme -20° C and Impact Resistance
Offers improved impact resistance (1.25 Joule impact) and improved low temperature performance



ST2008

XT15F Chiller display Module

-20° C Temp Extreme Condensation Resistant and Impact Resistance



ST2007

XT15F Arctic Extreme Duty Heated display module

-30° C Temp Extreme Condensation free and Impact Resistance

All replacement keypads are available as snap on, can be changed on site, without sending it to service depot.

XT15 Back Cover Options

Standard Expansions

ST9002	Blank Expansion Back cover
ST9714	SE4500 Standard 2D Imager
ST9715	SE4600LR Extended 2D Imager
ST9703	SE1524ER 1D Scanner Auto-Range
ST9701	SE1224HP 1D Scanner Standard-Range
ST9004	Push-to-Talk Speaker
ST9013	Push-to-Talk Speaker with Camera
ST9710	SE965 Standard Range 1D Laser for Freezer Units (XT15f)
ST9711	SE1524ER Lorax Engine for Freezer Units (XT15f)

! Scanner Engine Back covers cannot be combined with any Pod or End cap Accessories

Pods and end-caps compatible with speaker and camera back covers **!**

ST6104
Replacement Pistol Grip Switch Cover
 Normally included with each back cover



ST9701
SE1224HP 1D Scanner



ST9714
SE4500 2D Imager



ST9710
SE965 Back cover for XT15f



ST9711
SE1524ER for XT15f



ST6100
Pistol Grip Kit



ST6500
Pistol Grip Kit

Optional Pistol Grip Kit

ST6500 pistol grip compatible with ST9715 (SE4600 LRI) too.



ST9703
SE1524ER 1D Scanner



ST6400
Pistol Grip Kit

Optional Pistol Grip Kit



ST9004
Back cover with Speaker



ST9013
Back cover with Speaker and Camera



XT15 Pod Options

Secondary Expansions

- ST9100** Pod Blanking Cap
- ST9204** SE955 1D Standard Range Scanner (Slim Pod)
- ST9114** SE4500 2D Imager (Standard Pod)
- ST9101** SE1224HP 1D Standard Range Scanner (Standard Pod)
- ST9214** SE4500 2D Imager (Slim Pod)
- ST9210** HF RFID Reader



ST9114
SE4500 2D Imager Standard Pod



ST9101
SE1224HP 1D Scanner Standard Pod

Optional pistol grip

- ST6000** Pistol grip kit for Standard pod scanners



ST6000
Pistol Grip Kit

Pistol Grip Kit comes with screws. Order stylus and tether separately

ST6000 only compatible with **Standard** Pod modules (ST9114 and ST9101)



ST9210
HF RFID Reader Pod

Works with Speaker, Camera, GPS, Endcap-Scanner, WAN radios but not in combination with pistol grip.
HF module not compatible with freezer, NI, SE4600 or SE1524

XT15 End Cap Options

End-Cap Options

Standard Blank End Cap

ST9301	No Antenna
ST9401	GPS Antenna
ST9500	GPS and EDGE/Cellular Antennas
ST9600	GPS and HSPA+/Cellular Antennas

SE955 1D Standard Laser End Cap

ST9304	No Antenna
ST9404	GPS Antenna
ST9504	GPS and EDGE/Cellular Antennas
ST9604	GPS and HSPA+/Cellular Antennas

SE4500 2D Standard Imager End Cap

ST9314	No Antenna
ST9414	GPS Antenna
ST9514	GPS and EDGE/Cellular Antennas
ST9614	GPS and HSPA+/Cellular Antennas

Optional Pistol Grip

ST6300

Flush Mount Pistol Grip Kit for
End Cap Scanners

Pistol Grip Kit comes with
Stylus (ST6101) and screws 



ST9301
Blank End Cap



XT15 Battery Options

5300 mAh Battery



ST3003

Standard Battery Pack 5300 mAh, for Omnii XT15 Standard model, all configurations

5300 mAh Battery



ST3002

Arctic Freezer Battery Pack 5300 mAh; ships with XT15 Arctic; compatible with all XT15f models

5000 mAh Battery



ST3001-NI

NI Spare Battery Pack 5000 mAH for XT15ni - Non-Incendive models only

Hazardous Environments

ST3001-NI exclusive to XT15NI, failing to comply will void UL rating



XT15 Keyboard and Keypad Options

34 Key Numeric Telephony

ST5013

Large Numeric Keys
Alpha Character by SMS System

Replacement keypad part number:
ST5103



59 Key Shifted Alpha

ST5017

Telephone Style Numeric
6 Function Keys – (no F5)

Replacement keypad part number:
ST5117



36 Key Modified Alpha

ST5012

Calculator style numeric keypad
12 Direct Function Keys

Replacement keypad part number:
ST5112



XT15 Keyboard and Keypad Options

36 Key Numeric Telephony

ST5011

Large Numeric Keys
12 Function Keys

Replacement keypad part number:
ST5111



55 Key Alpha Numeric

ST5004

Telephone Style Numeric
Alpha ABC Layout

Replacement keypad part number:
ST5104



66 Key QWERTY

ST5003

Telephone Style Numeric
Alpha QWERTY Layout

Replacement keypad part number:
ST5103



XT15 Keyboard and Keypad Options

59 Key Alpha Numeric ST5010

Telephone Style Numeric Keys
6 Function Keys

Replacement keypad part number:
ST5110



59 Key Alpha Num (ORACLE function keys) ST5015

ST5015
Telephone Style Numeric

Replacement keypad part number:
ST5115



66 Key QWERTY (ORACLE function keys) ST5016

ST5016
Alpha QWERTY Layout

Replacement keypad part number:
ST5116



XT15 Keyboard and Keypad Options

58 Key Freezer Keypad

ST5005

Alpha Numeric Keys
6 Function Keys

Replacement keypad part number:
ST5105



34 Key Freezer Keypad

ST5014

Telephone Style Numeric
12 Function Keys

Replacement keypad part number:
ST5114



All replacement keypads are available and can be changed on site,
without sending it to service depot. 

XT15 Operating Systems



Microsoft Windows
Embedded Handheld 6.5
Classic Edition

 Windows Embedded
Handheld

Operating System Configurations

Microsoft Windows embedded Handheld 6.5
Professional Edition

Microsoft Windows Embedded Compact 6.0

Microsoft Windows
Embedded Compact 6.0



 Microsoft
Windows CE

OS in Local languages available for download on
Support Central https://portal.zebra.com/Support/US-EN/Mobile+Networks+RFID+and+BarCode+Scanners/Mobile+Computers/Handheld+Computers/Omnii_XT15_US-EN

XT15 Charging Methods



Single Slot Cradle Kit:

ST4002
(Worldwide except Argentina)

USB only – **Includes:** ST1050 power supply and PX3058 USB Cable (connects to Micro-USB/B port for ActiveSync communications)

ST4002-AR
(Argentina only)

USB only – **Includes:** ST1050-AR power supply and PX3058 USB Cable.

ST4003
(Worldwide except Argentina)

USB, Serial, Ethernet – **Includes:** ST1050 power supply and PX3058 USB Cable (connects to Micro-USB/B port for ActiveSync communications)

ST4003-AR
(Argentina only)

USB, Serial, Ethernet – **Includes:** ST1050-AR power supply and PX3058 USB Cable.



The single slot cradle can charge a XT15 terminal, charges a spare battery and has USB master and slave connections.

Additional accessories for single slot cradle



ST1050
Wall Adapter Power Supply (Worldwide except Argentina)



ST1050-AR
Wall Adapter Power Supply (Argentina only)



PX3058
Micro USB Cable



ST4100
Cradle Ethernet / Serial XMOD Kit - adds Ethernet, Serial port to USB Only Single Slot Cradle (ST4002 or ST4002-AR)

XT15 Charging Methods



4 Slot Ethernet/Charging Cradle:

ST4004

Docking station quad Ethernet (power cable sold separately)

Ethernet Daisy Chain Capable



AC Line Cords:

- 9008693 for North America
- 9008892 for Europe
- 9008950 for UK

PS1055-G1

The four slot cradle includes a power supply (PS1055-G1). Must purchase specific country AC Line Cord.

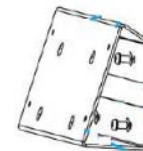


Battery Charger



ST3006

Six slot spare battery charger to be used with high and ultra high capacity batteries. Includes power supply (PS1056-G1). Must order AC line cord separately.



MT2031

Wall mount bracket for 6-slot spare battery charger

XT15 Charging Methods



Vehicle cradle:

ST1000

Un-powered Vehicle cradle – designed to securely mount XT15, does not provide any power or peripheral ports

ST1002

Powered Vehicle cradle 12v-30v - Charges XT15 and also supports Power, USB, RS232 Serial connections. Cables for Power, USB, RS232 ordered separately

Optional Accessories



CA3002

Vehicle Cradle Cigarette Lighter Adapter



PS1350

Pre-regulator module required when connecting the vehicle cradle to power sources above 20V to a maximum of 72V.



MT3324 MT3325



When using the vehicle cradle, the universal RAM mount arm is required (Order separately 5" or 8" arm)



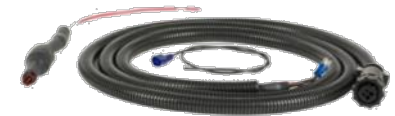
A base or clamp is required as vehicle side attachment (Order separately MT3501, MT3502, MT3505, MT3507, MT3509, MT3510)



CA3000
Power only

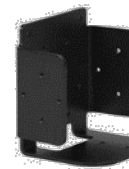


CA3001
Power + Connector block
with 2 USB + RS232



CA1210
Connects power
cable to vehicle
battery

For powered connection, must order a power cable 9-20V input (CA1210) or the vehicle power outlet adapter cable (CA3000, CA3001)



MT3327 has USB RS232
connector block mount
capability



MT3328 – RAM
mount vertical MT3326 – RAM
mount horizontal



A mounting bracket is required when vehicle cradle's RAM mount is anchored to horizontal/vertical surface (Order separately MT3327, MT3326, MT3328)

XT15 Mobile Charging Options

Charge only Module



ST4000

Provides device charging connection

USB/Charge Module



ST4001

Provides Micro USB/B, USB/A and charging connections

RS232/Charge Module



ST4005

Provides RS232 DE9 and charging connections

! All Snap-on modules require ST1050/ST1050-AR Power Supply for AC charging OR ST3113 Cigarette Lighter Adapter for in-vehicle charging

! ST4001 also requires PX3058 Micro USB Cable to support ActiveSync connections



ST3113

Auto Charge/Cigarette Lighter Adapter Cable, 12V DC input

XT15 Carrying Accessories

Rubber Boots

ST6080 Rubber Boot for units with **Standard Back Cover** (Yellow or Grey ST6081)

ST6086 Rubber Boot (Blue) for **Freezer units with Standard Back Cover** 

ST6082 Rubber Boot for units with **Expansion Back Cover** (Yellow or Grey ST6083)

ST6084 Rubber Boot for units with **Expansion Back Cover and End Cap scanner** (Yellow or Grey ST6085)

Optional shoulder strap for rubber boots

CV6021 Shoulder strap for use with all rubber boots



ST6084
Rubber Boot for Units with
Expansion Back cover and
End cap scanner



ST6080
Rubber boot for units with
Standard Back Cover

XT15 Carrying Accessories

Soft Shell Holsters

Compatible with Pistol Grip units 



ST6050

Soft shell holster
Includes waist belt and leg strap



ST6091

Soft Shell Pouch with Belt Clip



Not compatible with Pistol Grip

Other Holsters



ST6055

Hard Shell/Form Fit Holster for units with Standard Back Cover. **ST6056** for units with Expansion Back cover and Std Pods



ST6051

Forklift
Holster



ST6052

Forklift Holster, supports
Rubber Boot (ST6086)

Carry Case



ST6090

Carry Case for units with Standard Back cover

ST6092

Carry Case for units with Expansion Back cover

ST6093

Carry Case for units with Expansion Back cover and End Cap Scanner – Non FCC country approved

Compatible with Pistol Grip units 

XT15 Carrying Accessories

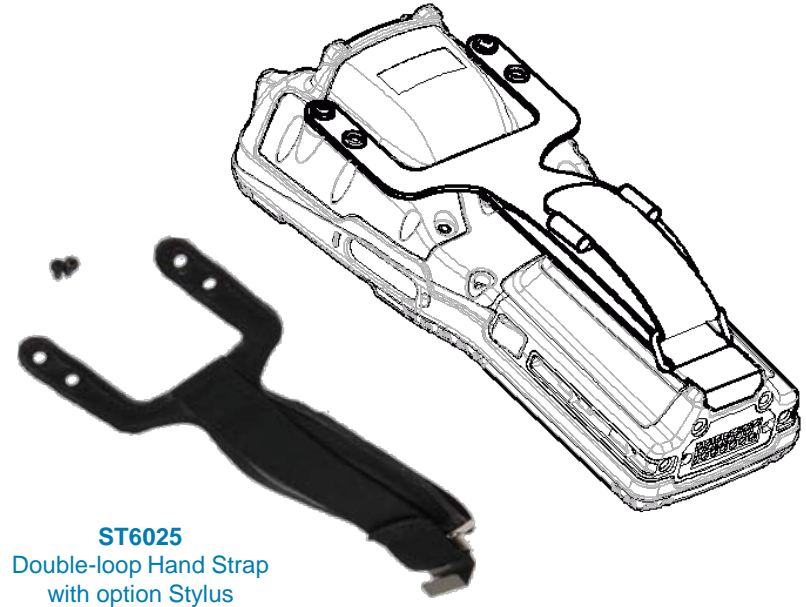
Hand Straps

- ST6025** Adjustable double-loop hand strap
- ST6026** Non-adjustable and elastic hand strap (recommended for use with vehicle cradle)

Hand Straps include a storage option for stylus!

Miscellaneous

- ST6040** Wrist Strap
- ST6101** Short Yellow Stylus (Pack of 3)
- ST6102** Long Grey Stylus (Pack of 3)
- ST6103** Tethers for Stylus (Pack of 3)
- ST6310** Stylus Holder
- RV6105** Screen Protector/Guard



ST6025
Double-loop Hand Strap
with option Stylus



ST6040
Wrist Strap

ST6310
Stylus Holder